

## CBR-V1-SDLX

Single Valve Draft Tower with Sanitary Dispense Lever



Single-valve draft tower designed for dispensing sparkling water or chilled still water with a sanitary dispense lever (SDLX) for improved hygiene in self-service or high-traffic environments. Built with 304 all stainless steel beverage tubing and includes quick-connect hookup to CR-4L38 trunkline. Designed to pair with all Crysalli remote chillers.





### Features

- 304 Stainless steel, pull-handle SSX faucet
- Sanitary dispense lever (SDLX)
- 304 All stainless steel beverage tubing
- Adjustable flow up to 2 oz/sec and lockable
- Self-closing when handle is released
- Downward-pointing nozzle
- Bottle filling clearance: 12.375"
- Tower height: 21" including 4" tap handle
- Ergonomic grip handle or SS knobs
- Base gasket included for watertight counter seal
- For use with all Crysalli remote chillers

### Model Options

- CBR-V1C-SDLX: Chrome finish
- CBR-V1BLC-SDLX: Black chrome finish

### Accessories

- Handles:
  - CR-100301-C: Optional chrome handles 
- Medallions:
  - CR-MDLN-V1: Optional medallion kit 
- Drain pans:
  - DP-CT: Stainless countertop mount drain pan, 1/2" direct-plumb drain tube 
  - DP-CT-LD: Drip pan, less drain, with rubber feet
  - RDP-1SSQ-1CL: Recessed drain pan, 12"W x 15.125"D, flush mount with splash zone and cup rest locators. Requires square cut for drain pan and hole cut for tower
- Install kit:
  - CBR2-FKM-V2: install fitting kit for connecting two CBR-V2 towers to one remote UCM chiller 



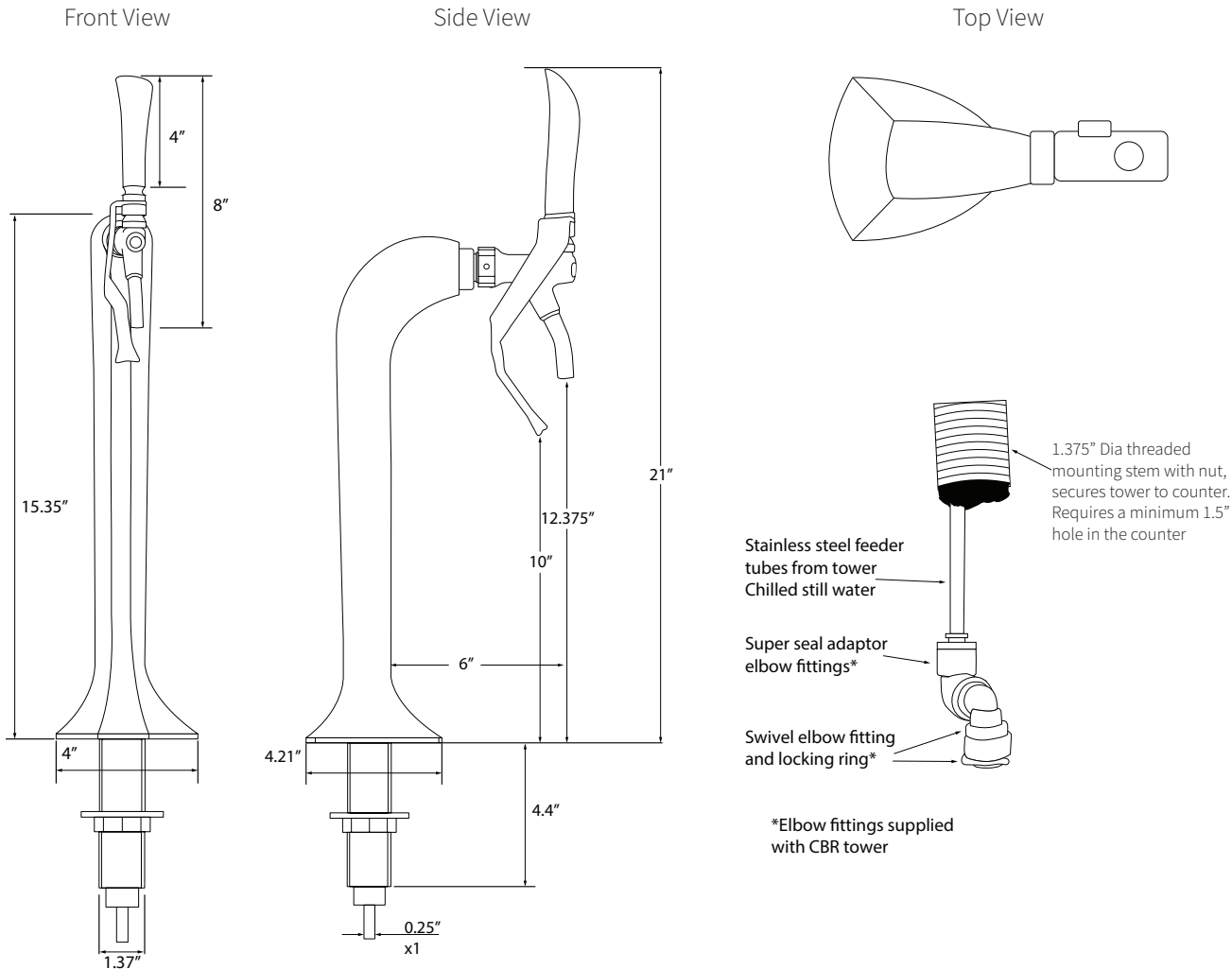
# CBR-V1-SDLX

Single Valve Draft Tower with Sanitary Dispense Lever



Scan for more resources!

## Line Drawings



Width	4"
Height (including 4" tap handle)	21"
Bottle fill clearance	12.375"
Weight	10 lbs